

Trigenflex R96

Operating lamp for major surgery with the new light System R96

This newly developed light by DR. MACH has reached a previously unattainable general colour rendering index of $R_a = 96$. This light produces more natural colours, the light has daylight-character.

Even the many different shades of red in the area of the wound can be recognized exactly. At an extra price we can deliver a light System with a colour rendering index $R_a > 90$ (This index is for the colour red and not included in the calculation of the general colour rendering index).

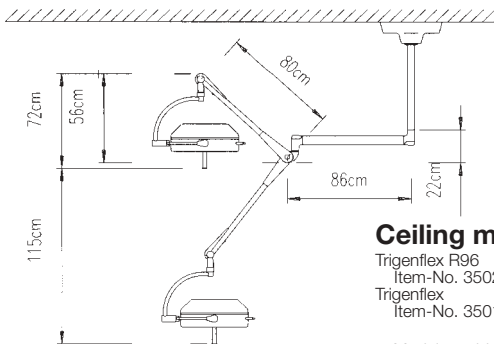
For the surgeon, this means that he can see the details much better in the area of the wound. Here too, DR. MACH is a true pioneer.

The new light uses new cold light filters and cold light reflectors of computer-optimized design, which reduce the strain from heat around the head and reduce the increase in temperature (total radiation) on the illuminated area of the wound down to a minimum.

Another great advantage is the outstanding flow behaviour of this lamp (lamphead diameter only 48 cm). A low-turbulence air stream is supported through the special carrying system (oval carrier arms and cardanic bows).



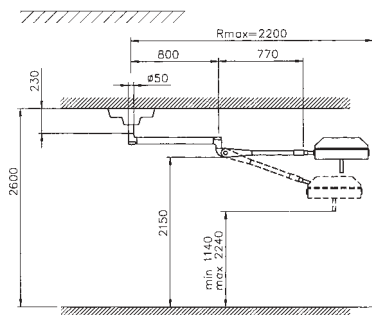
Technical specifications	Trigenflex R96	Trigenflex
light intensity	125.000 Lux	100.000 Lux
colour rendering index R_a	96	86
colour temperature	4300 K	4300 K
focusable light field size	15 - 26 cm	15 - 26 cm
working distance	70 - 140 cm	70 - 140 cm
diameter of lamphead	48 cm	48 cm
total radiation at 100.000 lux	389 W/m ²	416 W/m ²
temperature increase around the head	2° C	2° C
halogen bulb	3 x 22,8V 50W	3 x 22,8V 50W
power input	150 W	150 W
mains connection	230/250V 50-60 Hz	230/250V 50-60 Hz
finish	clear white RAL 9010	clear white RAL 9010



Ceiling model

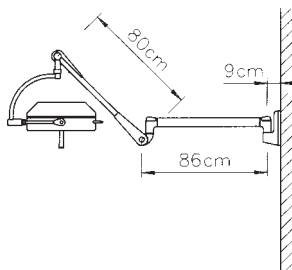
Trigenflex R96
Item-No. 3502 3031 30
Trigenflex
Item-No. 3501 3031 30

- Model combinations available with several light heads or appliance holders (upon request)
- Height adjustment: 115 cm
- Toroidal core transformer in lamphousing. Light intensity control by two-step switch. On request with external transformer. In this case no switches at lamphousing.
- Total weight for room height 2 m: 29 kg



Ceiling model for roomheight up to 2.70 m

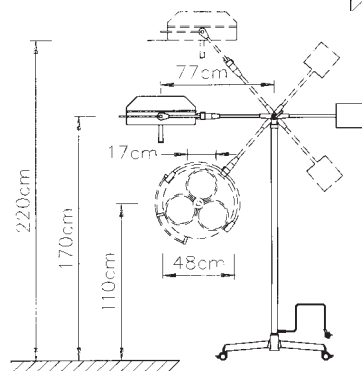
Trigenflex R96
Item-No. 3502 3031 25
Trigenflex
Item-No. 3501 3031 25



Wall model

Trigenflex R96
Item-No. 3502 3021 00

- Height adjustment: 115 cm
- Toroidal core transformer in lamphousing
- Total weight: 22 kg



Stand model

Trigenflex R96
Item No. 3502 3012 00

- Transformer as counterweight
- Total weight: 32 kg

Accessories:

Halogen bulb 22.8/24V 50W
Additional sterilizable handle
Regulating transformer for brightness control
Break-make relay for stand-by power 24V 25A

Item No. 6710 0201
Item No. 2215 0002
Item No. 1500 9722 87
Item No. 1500 9410 00



kooperatives Mitglied der
Zentralfereinigung Medizin-Technik

www.dr-mach.de